

# YUEDU YD-428130

## Product Specifications

Shredding Unit	Baling Unit (Optional)
Shredding Effect, 5.8 * 50 mm Cross-cut Sheet Capacity, "130+ sheets/pass (A4, 70g)" Motor Power, 4 KW Continuous Operation, 24 Hours Heavy-Duty Feed Width, 460 mm Shredding Speed, 9 m/min Voltage, 380V / 50Hz Bin Capacity, 300 L Net Weight, 600 KG Dimensions, 1290(W) x 1450(L) x 1660(H) mm	Compression Force, 80 kN Baling Throughput, 5 - 8 bales/hour Bale Weight, 50 - 70 kg Bale Size, 565 x 480 x (200-700) mm Motor Power, 3.7 KW Inlet Size, 320 x 490 mm Machine Dimensions, 2390(W) x 685(L) x 970(H) mm

### *Application & Customization*

**Application:** This 428 series conveyor-fed shredder is engineered for **Centralized Destruction Centers**, government confidentiality departments, and large enterprise archive centers.

### **Standard vs. Optional Configuration**

- **Standard:** Shredded material discharges into an internal waste bin.
- **Note:** Discharge conveyors and baling machines are **optional upgrades** and not included in the standard factory configuration.

### **Typical Customization Options**

1. **Power Supply:** Adaptation for 220V office power environments.
2. **Security Level:** Customizable cut sizes: 4×40mm or 2×15mm.
3. **Material Logistics:** Configuration of in-feed or out-feed conveyor units.
4. **Waste Management:** Integration with an automatic horizontal baler.

---

# YUEDU YD-428130

## Conveyor Feed & Discharge System

### Destruction Capabilities

#### Versatile Media Shredding

- **Paper & Documents:** Bulk papers with staples/paper clips, thick books, and financial vouchers.
- **Storage Media:** CD/DVDs, Magnetic cards, Disks, Passports, and Magnetic tapes.

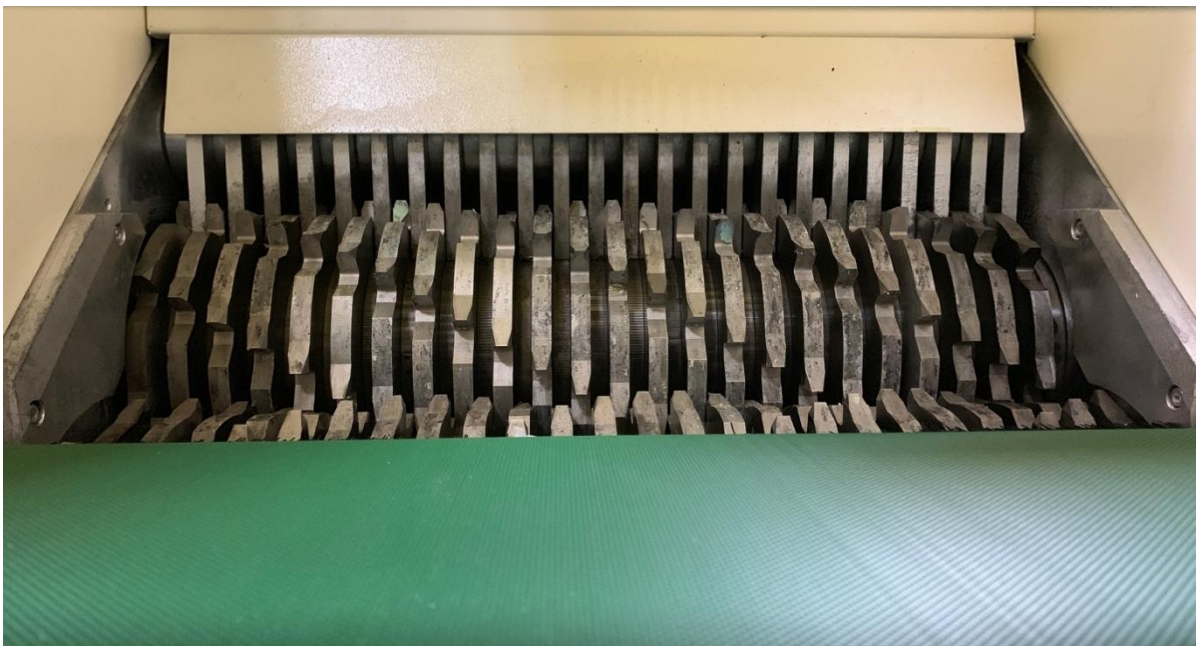
---

### Core Safety & Technical Features

- **Electronic Safety Gate:** Automatic protection for operator safety.
- **Automatic Oiling System:** Electrically controlled lubrication to extend cutter lifespan.
- **Master Power Switch:** Industrial-grade main power control.
- **Frameless Bag Design:** Supports easy waste removal with "Bin Full" auto-stop sensor.
- **Emergency Stop:** High-visibility safety press-switch for instant shutdown.
- **Integrated Baler Connection:** Designed for seamless integration with an external baler for a "Shred-and-Bale" all-in-one workflow.

## Integrated Solid Steel Cutting Blades

Feed opening width up to **460 mm**





**Easy to Move with Swivel Casters**



**Fits 80cm Office & Elevator Doors**



## Machine Detail View



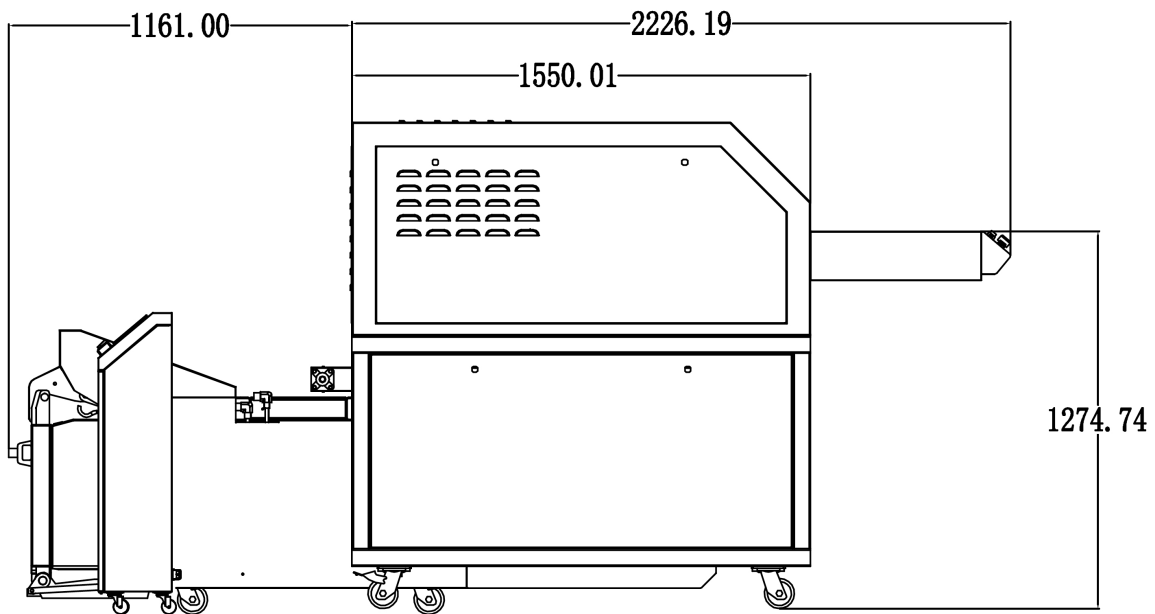
## User On-Site (with Discharge Conveyor)



## Installation Dimension Drawing (with Discharge Conveyor)



# Installation Dimension Drawing (with Automatic Baling Machine)



## Optional Configuration: Operation Authorization System

Note: The following features are not included in the standard factory configuration.

- Facial recognition
- Safety locking system

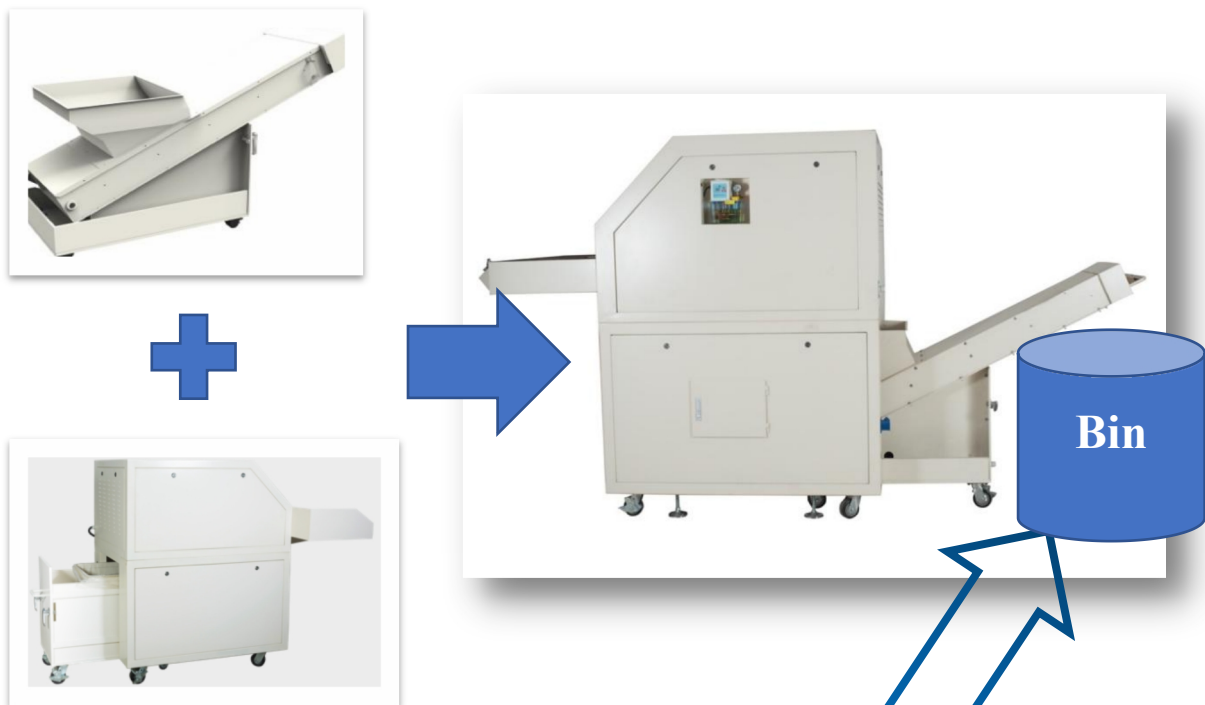


## Optional Configuration: Discharge Conveyor System

Note: The following features are not included in the standard factory configuration.

### Optional Discharge Conveyor System

The discharge conveyor can be connected to the shredder's outlet section, allowing shredded material to be automatically transferred to an external collection container.



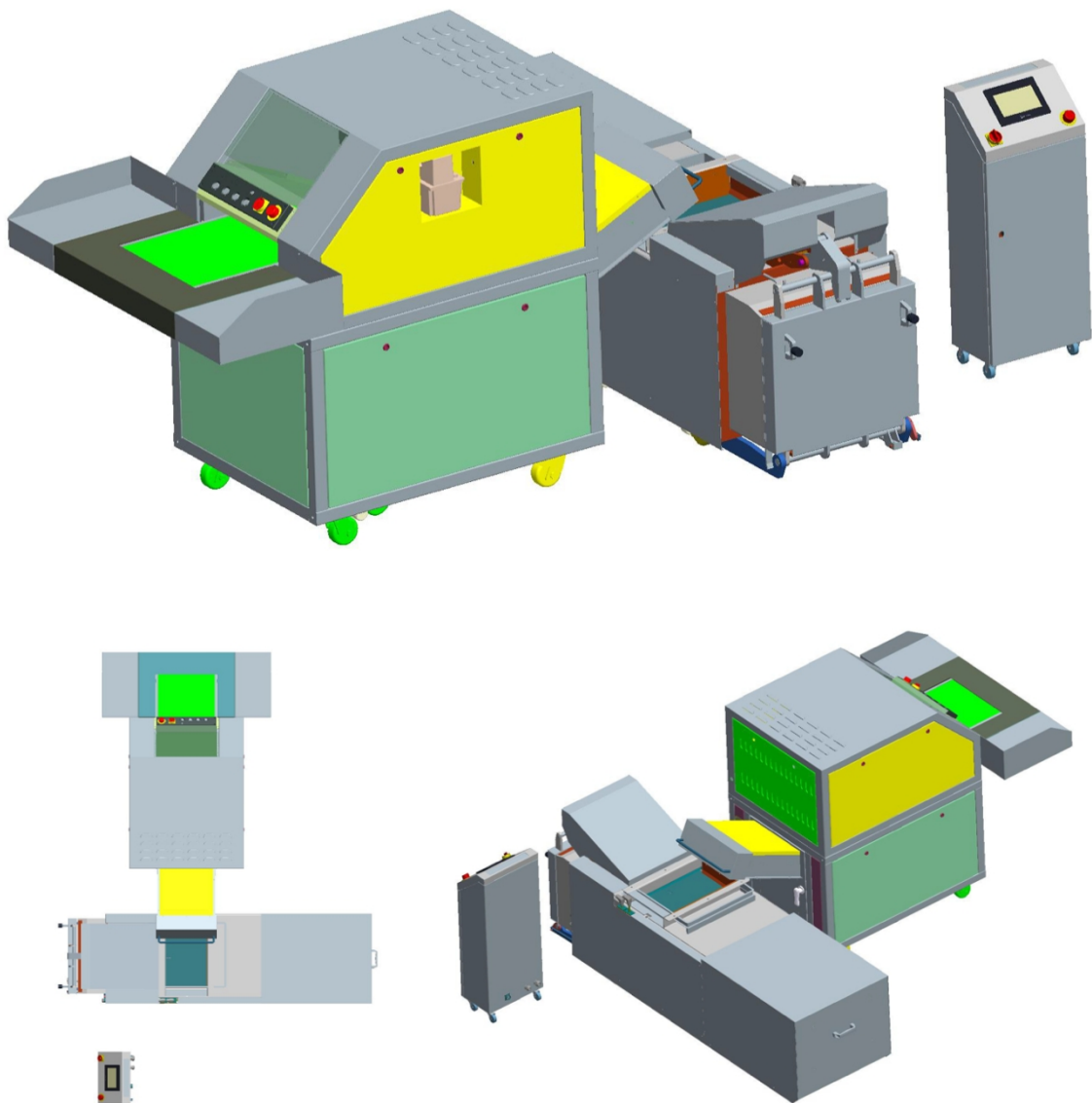
**Optional Accessories: External Waste Bin (160 L)**

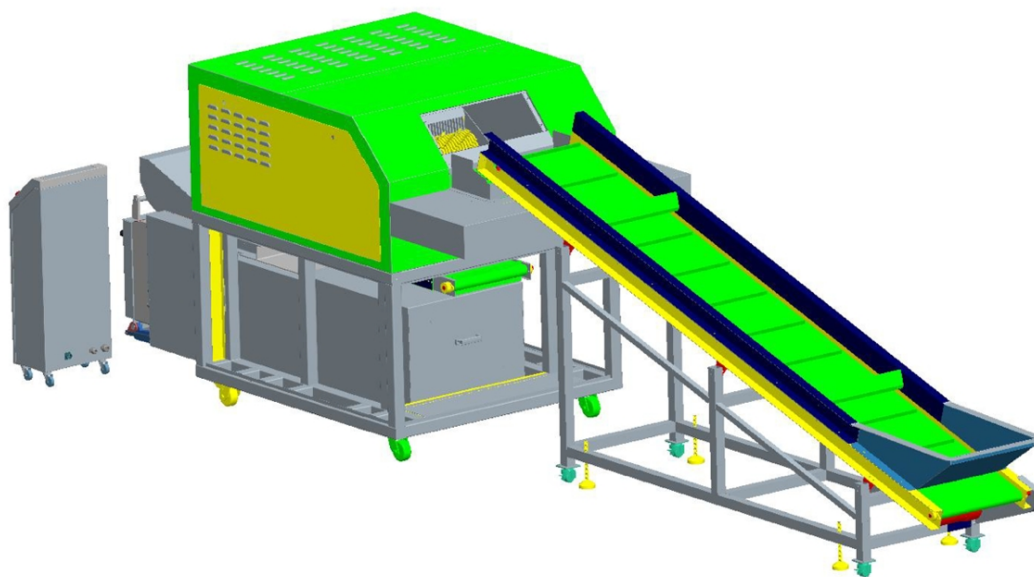
Optional sizes available: 300 L and 500 L waste collection bins.



## Optional Configuration: Feeding Conveyor and Baling Machine

Note: The following features are not included in the standard factory configuration.





## Business License (Official Chinese & English Translation)



### Business License (Translated Version)

Shanghai Yuedu Technology Co., Ltd.

#### ◆ Company Information

**Company Name:**

Shanghai Yuedu Technology Co., Ltd.

**Unified Social Credit Code:**

91310114MA1GUXHQ8H

**Company Type:**

Limited Liability Company (Invested or Controlled by Natural Persons)

**Registered Address:**

Room 17239, Building 2, No. 4268 Zhen'nan Road, Jiading District, Shanghai, China

**Legal Representative:**

Deng Hao

**Registered Capital:**

RMB 3,700,000

#### ◆ Registration Details

**Date of Establishment:**

September 5, 2018

**Business Term:**

From September 5, 2018 to September 4, 2048

#### ◆ Registration Authority

Shanghai Jiading District Administration for Market Regulation

**Date of Issue:**

September 5, 2018



This document is a translated version of the original Chinese business license.

In case of any discrepancy, the original Chinese version shall prevail.

- ✓ Registered and verified company in China
- ✓ Officially issued by Chinese government authority
- ✓ Valid for international business cooperation

Website(Global): [www.yuedushredders.com](http://www.yuedushredders.com)


Email: [yuedushredders@gmail.com](mailto:yuedushredders@gmail.com)

Phone WhatsApp: +86 159 0178 2779

## **Contact Us**

Johnny Deng, Managing Director


 Phone: +86 159 0178 2779 (WhatsApp / WeChat / Facebook / Telegram)

 Email: [denghao8410@gmail.com](mailto:denghao8410@gmail.com)

**Shanghai YUEDU Technology Co., Ltd. (YUEDU Shredders)**


 **Website(Global):** [www.yuedushredders.com](http://www.yuedushredders.com)

 **Email:** [yuedushredders@gmail.com](mailto:yuedushredders@gmail.com) / [denghao8410@gmail.com](mailto:denghao8410@gmail.com)

 **Sales Supervisor:** +86 159 0178 2779 (WhatsApp / WeChat / Facebook / Telegram)

 **Administrative Supervisor:** +86 137 6138 5116

 **Head Office Main Line:** +86 21 519 000 20

 **Company Headquarters:** Building 12, No. 555 Chengyin Road, Baoshan City Industrial Park, Shanghai, China

---

## **About YUEDE Shredders**

Shanghai YUEDU Technology Co., Ltd. is a **Shanghai-certified high-tech enterprise** specializing in the development and manufacturing of **shredding and destruction equipment**. We serve a wide range of sectors including **government agencies, financial institutions, military departments, enterprises, and recycling industries**.

Our offerings include **office and industrial-grade paper shredders, hard drive destroyers, plastic crushing systems, and fully customized destruction center solutions**. From design to delivery, we help clients achieve efficient, secure, and compliant material destruction.


---

## **Our Mission**

We are dedicated to the shredding and destruction industry, continuously solving diverse material shredding and disposal challenges for our clients around the world.

---

 **Website(Global):** [www.yuedushredders.com](http://www.yuedushredders.com)

 **Email:** [yuedushredders@gmail.com](mailto:yuedushredders@gmail.com)

 **Phone WhatsApp:** +86 159 0178 2779