

Technical Specifications

Model	YD-270S	YD-300S	YD-350S	YD-400S	YD-500S	YD-600S
Feed Width	270mm	310mm	350mm	400mm	510mm	600mm
Cut Size ¹	3 ~ 50mm strip	3 ~ 50mm	5 ~ 50mm	5 ~ 50mm	6 ~ 100mm	6 ~ 100mm
Max Sheets	5mm	5mm	6mm	6mm	6mm(20-50sheet A4)	5mm
Weight (kg)	198KG	250KG	300KG	300KG	500KG	600KG
Power	1.2KW, 220V	2 - 4KW, 220V	3 - 6KW	4 - 8KW	5.5 - 13KW	5.5 - 13KW
Continuous	24 hours	24 hours	24 hours	24 hours	24 hours	24 hours
L×W×H (mm)	2.1*0.6*1.32	2.1*0.8*1.32	2.1*0.8*1.32	2.1*1.1*1.32	2.1*1.1*1.32	2.2*1.2*1.32
Bin ² (L)	150L	180L	180L	280L	280L	300L

¹ Common Custom Sizes: 10 mm / 5 mm / 3 mm strip-cut; 5 × 5 mm / 10 × 10 mm chip-cut.

² Discharge Options: External conveyor belt or air-duct conveying.

YUEDU YD-500S

Industrial Conveyor-Fed Shredder

Key Features & Performance

- **Wear-resistant cutting blades** with long service life
- Suitable for shredding various **confidential and industrial materials**
- Excellent **structural stability, impact resistance, and vibration resistance**
- Designed for **long-term, heavy-duty continuous operation**
- **Customizable output form:** strip-cut or flake-type
- Flexible discharge options:
 - External discharge conveyor
 - Centralized pneumatic suction (vacuum conveying) system

Shreddable Materials

- Wood-based cellulose materials
- Paper documents
- Film materials
- Cardboard and corrugated boxes

Shredding Output Examples

Strip-cut: adhesive labels



Strip-cut: wood fiber boards



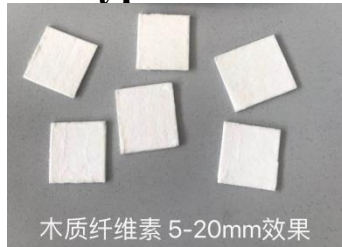
Strip-cut: paper



Flake-type: textile fibers



Flake-type: wood fibers



Flake-type: wood fibers



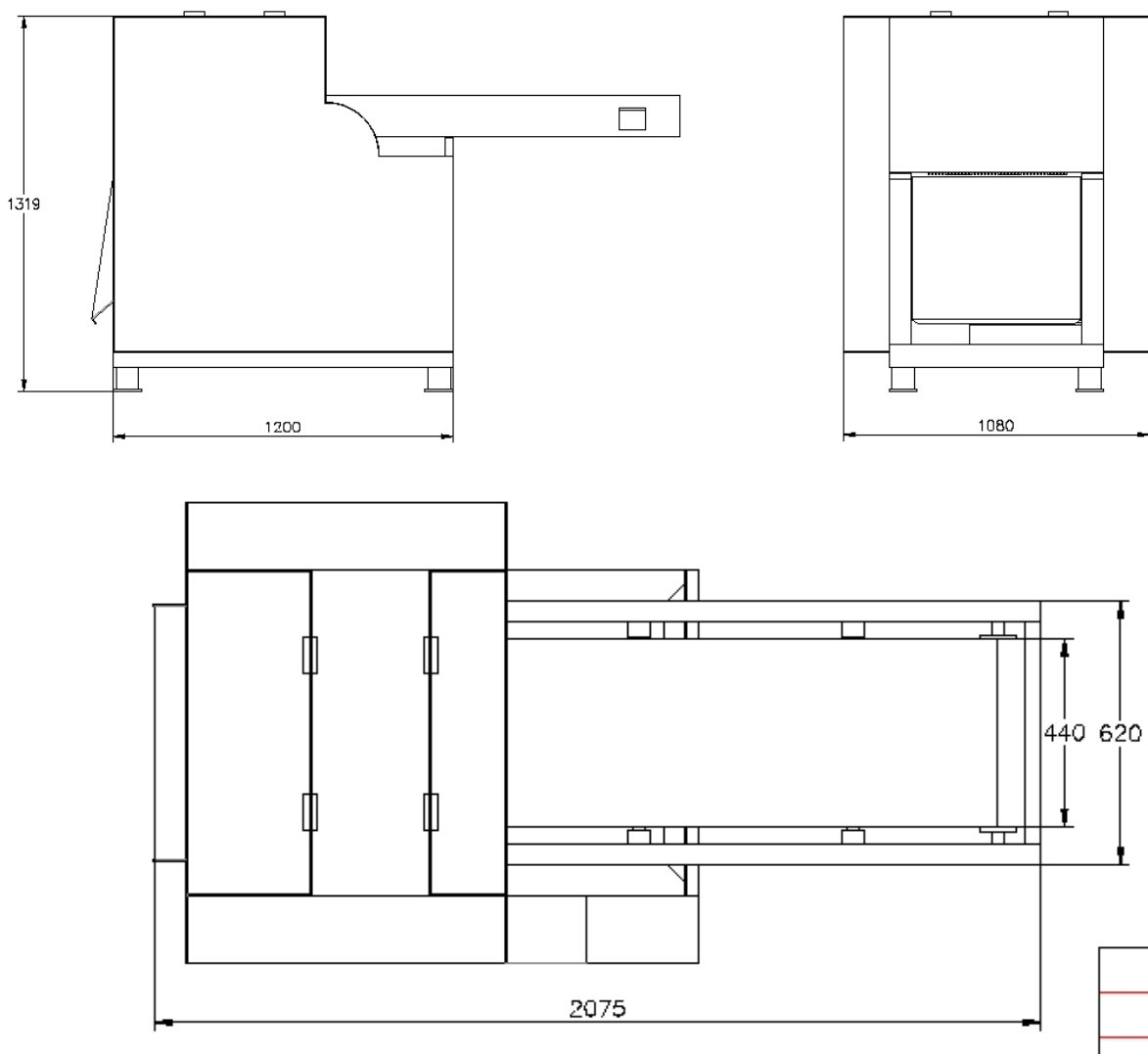
Note:

The machine is configured for **strip-cut shredding by default**. For flake-type output, please inform us in advance. (*Additional customization cost applies.*)

Machine Detail View



Installation Dimension Drawing (Three-View Layout)



Note:

Machine dimensions may change due to product upgrades. If precise installation dimensions are required, please confirm the latest drawings before placing an order.

Website(Global): www.yuedushredders.com

Email: yuedushredders@gmail.com

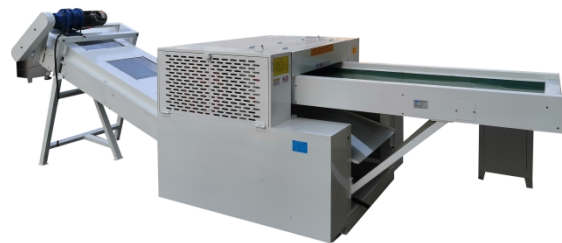
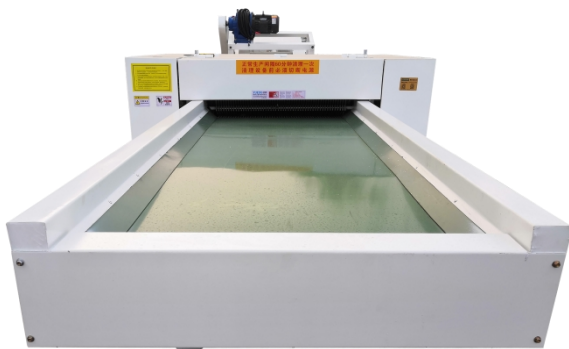
Phone WhatsApp: +86 159 0178 2779

Case W: Customer Applications



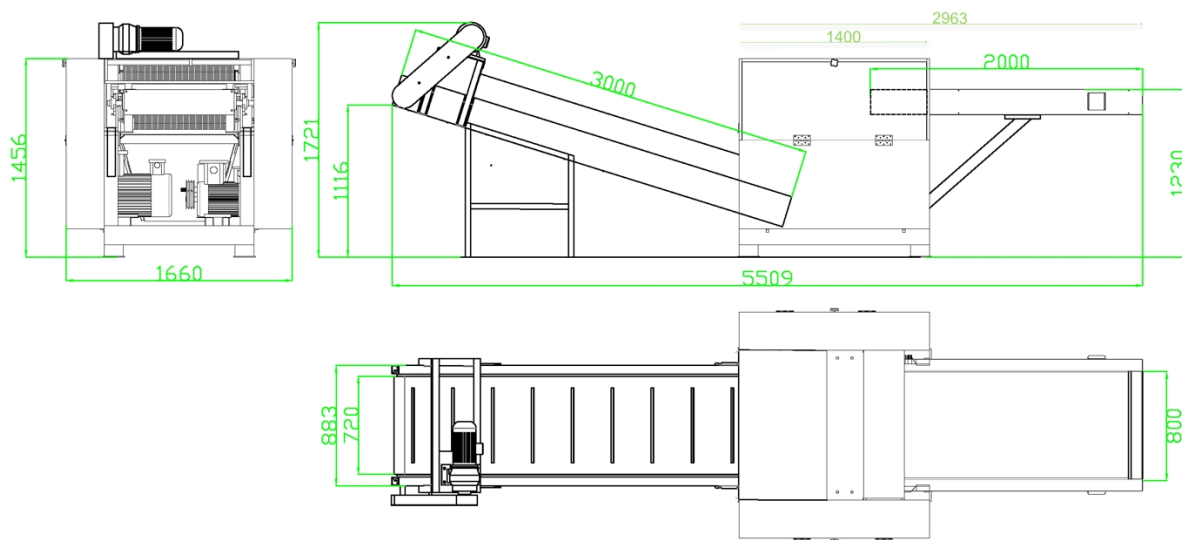
Case X : Printing & Packaging Factory

Delivery and installation reference images



Case Y: Printing & Packaging Factory

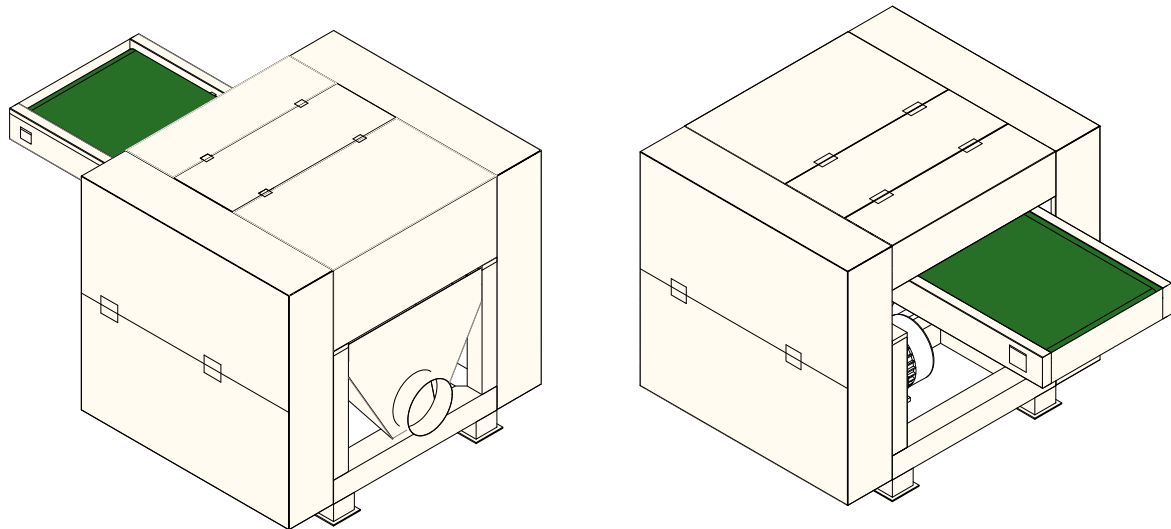
Confirmed installation dimensions applied



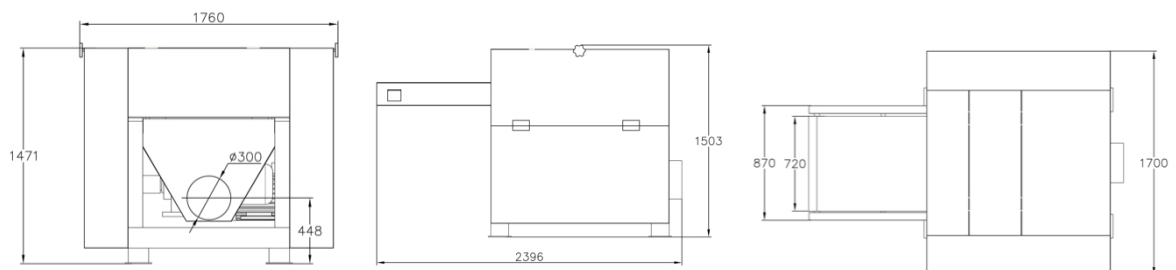
🔗 Final dimensions are subject to mutual confirmation at the time of order.

Case Z: 800 mm Feed Opening Configuration

Shredding performance reference



Three-view installation drawing



Business License (Official Chinese & English Translation)



Business License (Translated Version)

Shanghai Yuedu Technology Co., Ltd.

◆ Company Information

Company Name:

Shanghai Yuedu Technology Co., Ltd.

Unified Social Credit Code:

91310114MA1GUXHQ8H

Company Type:

Limited Liability Company (Invested or Controlled by Natural Persons)

Registered Address:

Room 17239, Building 2, No. 4268 Zhen'nan Road, Jiading District, Shanghai, China

Legal Representative:

Deng Hao

Registered Capital:

RMB 3,700,000

◆ Registration Details

Date of Establishment:

September 5, 2018

Business Term:

From September 5, 2018 to September 4, 2048

◆ Registration Authority

Shanghai Jiading District Administration for Market Regulation

Date of Issue:

September 5, 2018



This document is a translated version of the original Chinese business license.

In case of any discrepancy, the original Chinese version shall prevail.

- ✓ Registered and verified company in China
- ✓ Officially issued by Chinese government authority
- ✓ Valid for international business cooperation

Website(Global): www.yuedushredders.com


Email: yuedushredders@gmail.com

Phone WhatsApp: +86 159 0178 2779

Contact Us

Johnny Deng, Managing Director


 Phone: +86 159 0178 2779 (WhatsApp / WeChat / Facebook / Telegram)

 Email: denghao8410@gmail.com

Shanghai YUEDU Technology Co., Ltd. (YUEDU Shredders)


 **Website(Global):** www.yuedushredders.com

 **Email:** yuedushredders@gmail.com / denghao8410@gmail.com

 **Sales Supervisor:** +86 159 0178 2779 (WhatsApp / WeChat / Facebook / Telegram)

 **Administrative Supervisor:** +86 137 6138 5116

 **Head Office Main Line:** +86 21 519 000 20

 **Company Headquarters:** Building 12, No. 555 Chengyin Road, Baoshan City Industrial Park, Shanghai, China

About YUEDE Shredders


Shanghai YUEDU Technology Co., Ltd. is a **Shanghai-certified high-tech enterprise** specializing in the development and manufacturing of **shredding and destruction equipment**. We serve a wide range of sectors including **government agencies, financial institutions, military departments, enterprises, and recycling industries**.

Our offerings include **office and industrial-grade paper shredders, hard drive destroyers, plastic crushing systems, and fully customized destruction center solutions**. From design to delivery, we help clients achieve efficient, secure, and compliant material destruction.

Our Mission

We are dedicated to the shredding and destruction industry, continuously solving diverse material shredding and disposal challenges for our clients around the world.

 **Website(Global):** www.yuedushredders.com

 **Email:** yuedushredders@gmail.com

 **Phone WhatsApp:** +86 159 0178 2779