

YUEDU YD-428130

Product Specifications

Shredding Unit	Baling Unit (Optional)
Shredding Effect, 5.8 * 50 mm Cross-cut	Compression Force, 80 kN
Sheet Capacity, "130+ sheets/pass (A4, 70g)"	Baling Throughput, 5 - 8 bales/hour
Motor Power, 4 KW	Bale Weight, 50 - 70 kg
Continuous Operation, 24 Hours Heavy-Duty	Bale Size, 565 x 480 x (200-700) mm
Feed Width, 460 mm	Motor Power, 3.7 KW
Shredding Speed, 9 m/min	Inlet Size, 320 x 490 mm
Voltage, 380V / 50Hz	Machine Dimensions, 2390(W) x 685(L) x 970(H) mm
Bin Capacity, 300 L	
Net Weight, 600 KG	
Dimensions, 1290(W) x 1450(L) x 1660(H) mm	

Application & Customization

Application: This 428 series conveyor-fed shredder is engineered for **Centralized Destruction Centers**, government confidentiality departments, and large enterprise archive centers.


Standard vs. Optional Configuration

- **Standard:** Shredded material discharges into an internal waste bin.
- **Note:** Discharge conveyors and baling machines are **optional upgrades** and not included in the standard factory configuration.

Typical Customization Options

1. **Power Supply:** Adaptation for 220V office power environments.
2. **Security Level:** Customizable cut sizes: 4×40mm or 2×15mm.
3. **Material Logistics:** Configuration of in-feed or out-feed conveyor units.
4. **Waste Management:** Integration with an automatic horizontal baler.

 **Website(Global):** www.yuedushredders.com

 **Email:** yuedushredders@gmail.com

 **Phone WhatsApp:** +86 159 0178 2779

YUEDU YD-428130

Conveyor Feed & Discharge System

Destruction Capabilities

Versatile Media Shredding

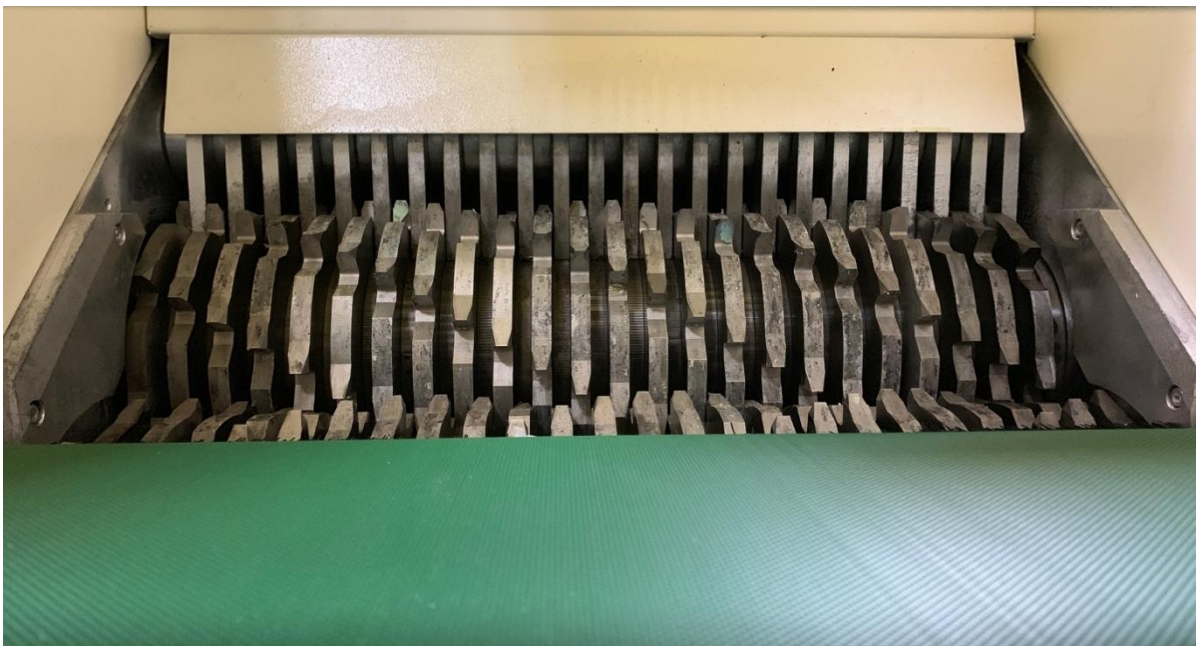
- **Paper & Documents:** Bulk papers with staples/paper clips, thick books, and financial vouchers.
- **Storage Media:** CD/DVDs, Magnetic cards, Disks, Passports, and Magnetic tapes.

Core Safety & Technical Features

- **Electronic Safety Gate:** Automatic protection for operator safety.
- **Automatic Oiling System:** Electrically controlled lubrication to extend cutter lifespan.
- **Master Power Switch:** Industrial-grade main power control.
- **Frameless Bag Design:** Supports easy waste removal with "Bin Full" auto-stop sensor.
- **Emergency Stop:** High-visibility safety press-switch for instant shutdown.
- **Integrated Baler Connection:** Designed for seamless integration with an external baler for a "Shred-and-Bale" all-in-one workflow.

Integrated Solid Steel Cutting Blades

Feed opening width up to **460 mm**





Easy to Move with Swivel Casters



Fits 80cm Office & Elevator Doors



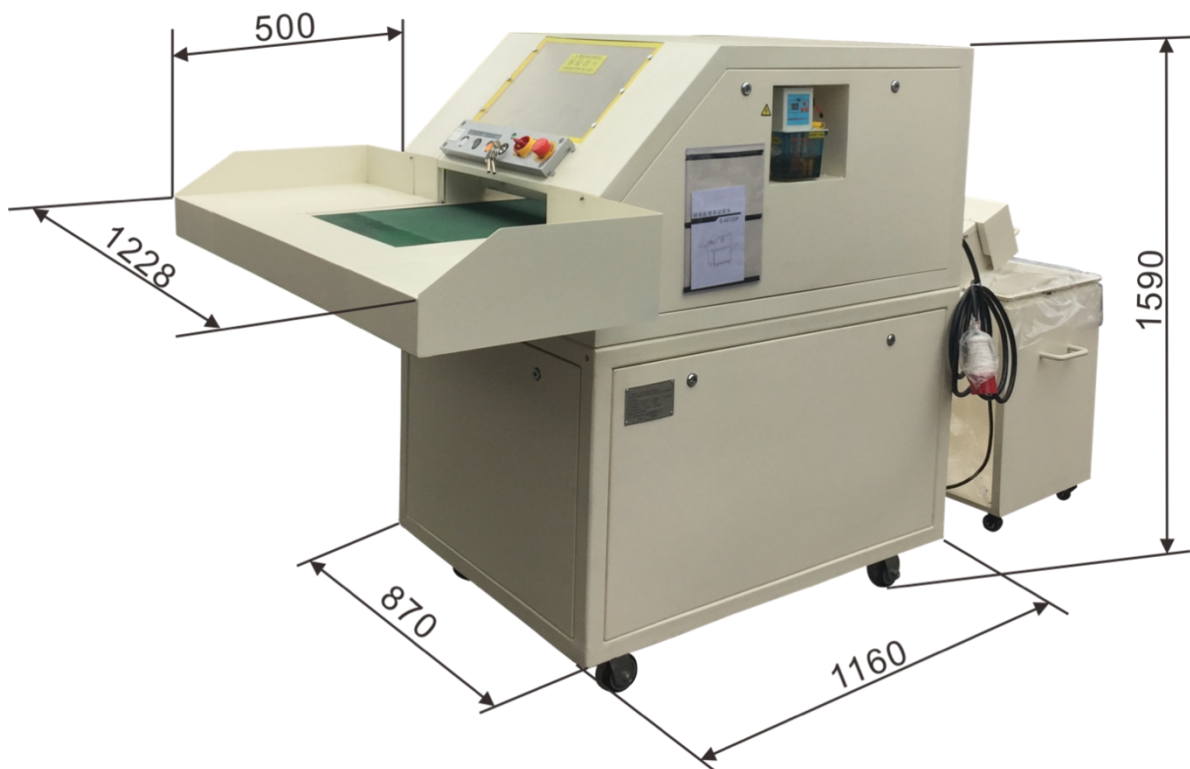
Machine Detail View



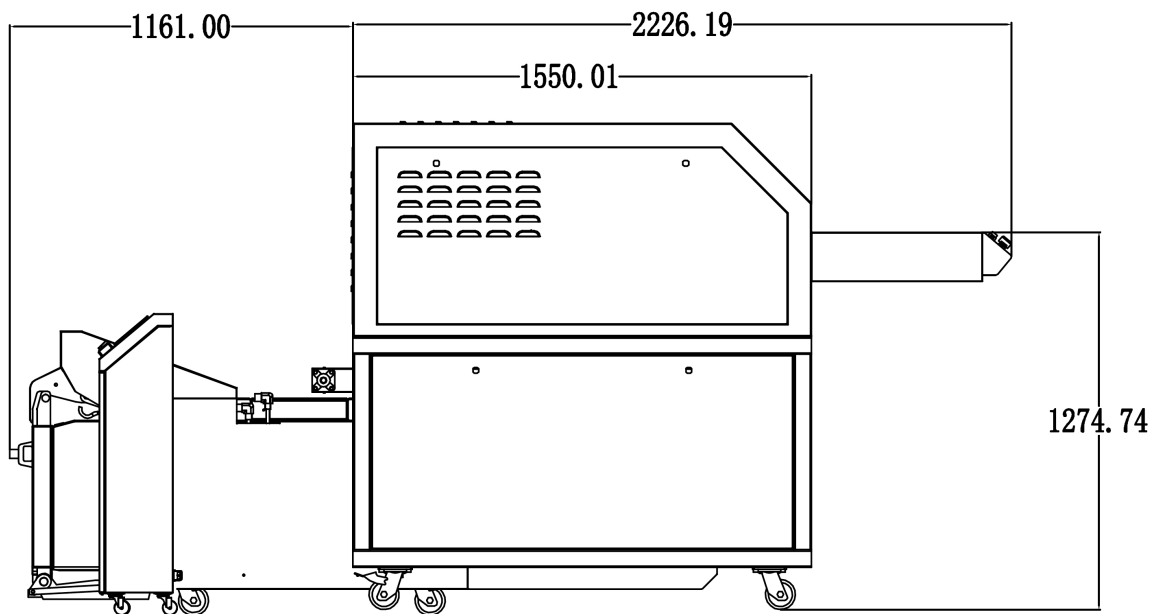
User On-Site (With Discharge Conveyor Belt)



Installation Dimension Drawing (with Discharge Conveyor)



Installation Dimension Drawing (with Automatic Baling Machine)



Optional Configuration: Operation Authorization System

Note: The following features are not included in the standard factory configuration.

- Facial recognition
- Safety locking system

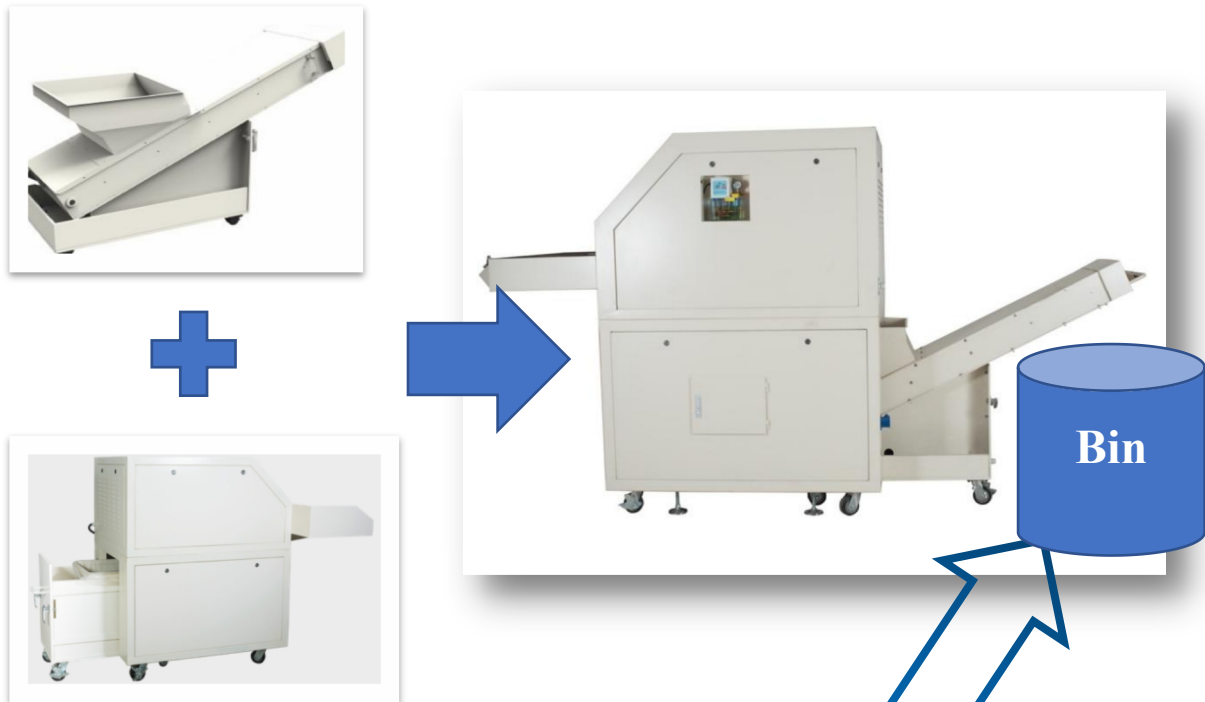


Optional Configuration: Discharge Conveyor System

Note: The following features are not included in the standard factory configuration.

Optional Discharge Conveyor System

The discharge conveyor can be connected to the shredder's outlet section, allowing shredded material to be automatically transferred to an external collection container.



Optional Accessories: External Waste Bin (160 L)

Optional sizes available: 300 L and 500 L waste collection bins.



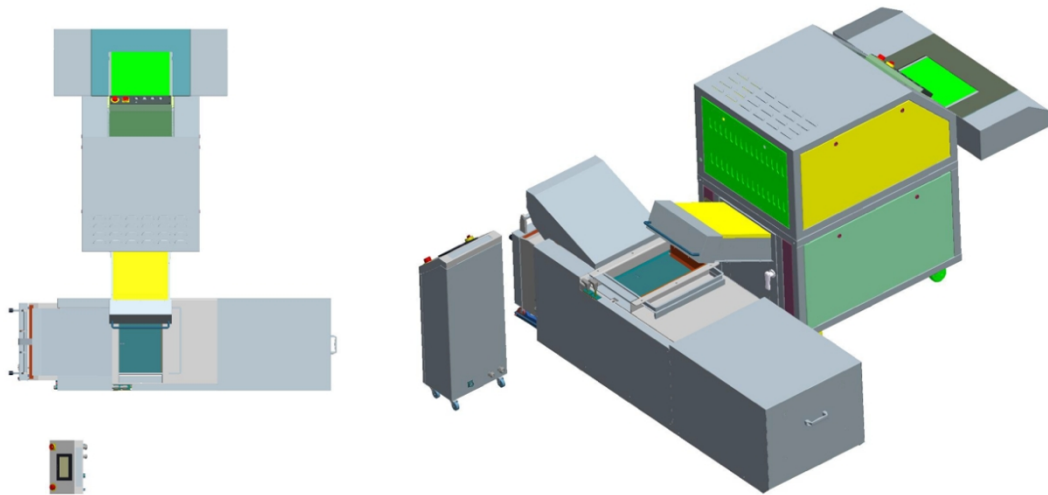
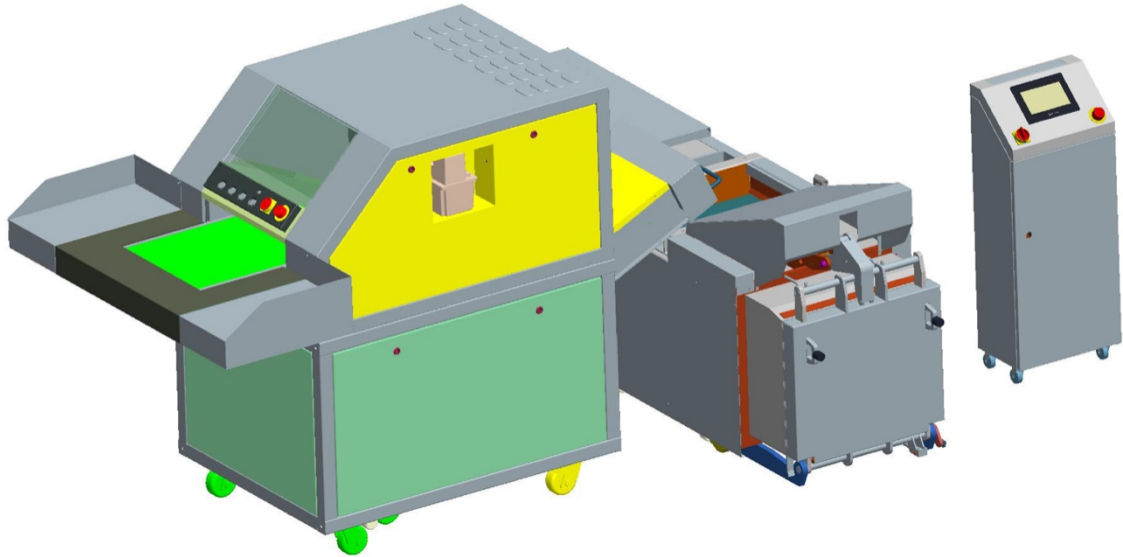
Optional Configuration: Feeding Conveyor and Baling Machine

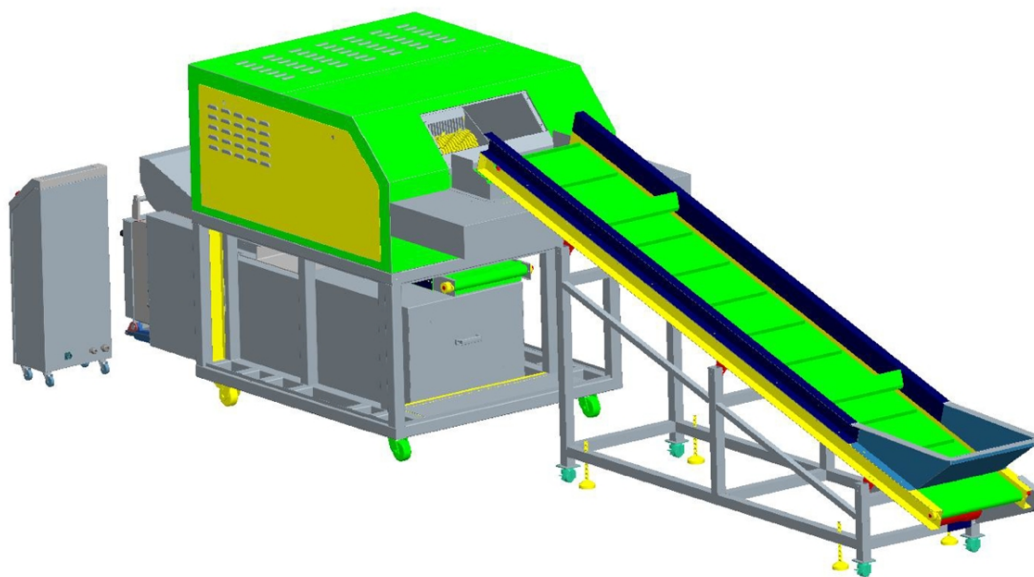
Note: The following features are not included in the standard factory configuration.

🌐 **Website(Global):** www.yuedushredders.com

✉ **Email:** yuedushredders@gmail.com

☎ **Phone WhatsApp:** +86 159 0178 2779





Business License (Official Chinese & English Translation)



Business License (Translated Version)

Shanghai Yuedu Technology Co., Ltd.

◆ Company Information

Company Name:

Shanghai Yuedu Technology Co., Ltd.

Unified Social Credit Code:

91310114MA1GUXHQ8H

Company Type:

Limited Liability Company (Invested or Controlled by Natural Persons)

Registered Address:

Room 17239, Building 2, No. 4268 Zhen'nan Road, Jiading District, Shanghai, China

Legal Representative:

Deng Hao

Registered Capital:

RMB 3,700,000

◆ Registration Details

Date of Establishment:

September 5, 2018

Business Term:

From September 5, 2018 to September 4, 2048

◆ Registration Authority

Shanghai Jiading District Administration for Market Regulation

Date of Issue:

September 5, 2018



This document is a translated version of the original Chinese business license.

In case of any discrepancy, the original Chinese version shall prevail.

- ✓ Registered and verified company in China
- ✓ Officially issued by Chinese government authority
- ✓ Valid for international business cooperation

Website(Global): www.yuedushredders.com


Email: yuedushredders@gmail.com

Phone WhatsApp: +86 159 0178 2779

Contact Us

Johnny Deng, Managing Director


 Phone: +86 159 0178 2779 (WhatsApp / WeChat / Facebook / Telegram)

 Email: denghao8410@gmail.com

Shanghai YUEDU Technology Co., Ltd. (YUEDU Shredders)


 **Website(Global):** www.yuedushredders.com

 **Email:** yuedushredders@gmail.com / denghao8410@gmail.com

 **Sales Supervisor:** +86 159 0178 2779 (WhatsApp / WeChat / Facebook / Telegram)

 **Administrative Supervisor:** +86 137 6138 5116

 **Head Office Main Line:** +86 21 519 000 20

 **Company Headquarters:** Building 12, No. 555 Chengyin Road, Baoshan City Industrial Park, Shanghai, China

About YUEDE Shredders


Shanghai YUEDU Technology Co., Ltd. is a **Shanghai-certified high-tech enterprise** specializing in the development and manufacturing of **shredding and destruction equipment**. We serve a wide range of sectors including **government agencies, financial institutions, military departments, enterprises, and recycling industries**.

Our offerings include **office and industrial-grade paper shredders, hard drive destroyers, plastic crushing systems, and fully customized destruction center solutions**. From design to delivery, we help clients achieve efficient, secure, and compliant material destruction.

Our Mission

We are dedicated to the shredding and destruction industry, continuously solving diverse material shredding and disposal challenges for our clients around the world.

 **Website(Global):** www.yuedushredders.com

 **Email:** yuedushredders@gmail.com

 **Phone WhatsApp:** +86 159 0178 2779